



# NATIONAL INSTITUTE OF TECHNOLOGY TIRUCHIRAPPALLI – 15

Web: [www.nitt.edu](http://www.nitt.edu)

Phone: 0431-2503830

## e-Procurement Notice

Ref: NITT/EMD/EE/CVL/Tender/2024-25/15

Dated: 30.10.2024

Online tenders are hereby invited in **three cover system** from Indian Nationals for **Providing Roof Sheet top with Truss to arrest the leakage in Chemical Engineering Department Lab (2nd Lab) at NIT – Trichy**. Bidders can download complete set of bidding documents from e- procurement Platform <https://eprocure.gov.in/eprocure/app> from **30.10.2024** onwards. Bidders need to submit the bids online for the interested items by uploading all the required documents through <https://eprocure.gov.in/eprocure/app>.

**Last Date/ Time for receipt of bids through e-procurement is: 20.11.2024 (12.00Hrs)**  
(Server time).

Late bids shall not be accepted.

For further details regarding Tender Notification & Specifications please visit website:

<https://eprocure.gov.in/eprocure/app> and [www.nitt.edu](http://www.nitt.edu)

### CRITICAL DATE SHEET

Published Date	30.10.2024 (18.00Hrs)
Bid Document Download Start Date	30.10.2024 (18.00Hrs)
Clarification Start Date	30.10.2024 (18.00Hrs)
Clarification End Date	20.11.2024 (12.00Hrs)
Bid Submission Start Date	30.10.2024 (18.00Hrs)
Bid Submission End Date	20.11.2024 (12.00Hrs)
Bid Opening Date (Technical)	21.11.2024 (15.00Hrs)
Bid Opening Date (Price)	Will be announced after technical evaluation (After evaluation of technical bids, the price bid will be opened only for technically qualified bidders in e-Tender)

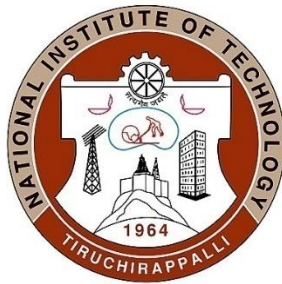
**Note :\***Bidder should submit the EMD as specified in the tender. The hard copy should be posted / couriered / deposit in person to the Central Dispatch section / Tender Inviting Authority, within bid submission due date and time as indicated in the tender. Scanned copy of the instrument should be uploaded as part of the offer.

# NATIONAL INSTITUTE OF TECHNOLOGY TIRUCHIRAPPALLI – 15

## Estate Maintenance Department

Web: [www.nitt.edu](http://www.nitt.edu)

Phone: 0431-2503830



## Tender Document (e - Procurement)

Name of Work/ Service	:	<b>Providing Roof Sheet top with Truss to arrest the leakage in Chemical Engineering Department Lab (2nd Lab) at NIT – Trichy.</b>
Tender Notification No	:	<b>NITT/EMD/EE/CVL/Tender/2024-25/15</b>
Date	:	<b>30.10.2024</b>
Name of the Department	:	<b>Estate Maintenance Department</b>
EMD Amount	:	<b>Rs. 45,390/-.</b> (submission of Demand Drafts (original) for EMD to the Tender Inviting Authority)
Last Date & Time of submission of Tender	:	<b>20.11.2024 (12.00Hrs)</b>
Address for submission of Tender	:	<b>THE DIRECTOR, NIT TIRUCHIRAPPALLI-15 KIND ATTENTION TO: The Executive Engineer, EMD Department</b>
Date & Time of opening of technical bid	:	<b>21.11.2024 (15.00Hrs)</b>

## **Bidding Procedures**

### **Section I: Instructions for Online Bid Submission**

Instructions to the Bidders to submit the bids online through the Central Public Procurement Portal for e Procurement at <https://eprocure.gov.in/eprocure/app>.

1. Possession of valid Digital Signature Certificate (DSC) and enrollment / registration of the contractors / bidders on the e-Procurement/e-tender portal are prerequisite for e-tendering.
2. Bidder should register for the enrollment in the e-Procurement site using the “[Online Bidder Enrollment](#)” option available on the home page. Portal enrollment is generally free of charge. During enrollment / registration, the bidders should provide only valid and true information including valid E-mail id. All the correspondence shall be made directly with the contractors/bidders through E-mail id as registered.
3. Bidder need to login to the site through their user ID / password chosen during enrollment / registration.
4. Then the Digital Signature Certificate (Class II or Class III Certificates with signing key usage) issued by SIFY / TCS / nCode / eMudra or any other Certifying Authority recognized by Controller of Certifying Authorities (CCA) India on eToken / Smartcard, should be registered.
5. The registered DSC only should be used by the bidder in the transactions and should ensure safety of the same.
6. Contractor / Bidder may go through the tenders published on the site and download the tender documents/schedules for the tenders.
7. After downloading / getting the tender document/schedules, the Bidder should go through them carefully and then submit the documents as required, otherwise bid will be rejected.
8. Any clarifications may be sought online through the tender site, through the contact details or during pre-bid meeting if any. Bidder should take into account the corrigendum if any published before submitting the bids online.
9. Bidder may log in to the site through the secured login by the user id / password chosen during enrolment / registration and then by submitting the password of the e-Token / Smartcard to access DSC.
10. Bidder may select the tender in which he / she is interested in by using the search option and then move it to the ‘my tenders’ folder.
11. From my tender folder, he / she may select the tender to view all the details uploaded there.
12. It shall be deemed that the bidder has read and understood all the terms and conditions before submitting the offer. Bidder should go through the tender schedules carefully and upload the documents as asked; otherwise, the incomplete bid shall stand rejected.
13. Bidder, in advance, should get ready the bid documents to be submitted as indicated in the tender document / schedule and ordinarily it shall be in PDF /xls / rar / jpg / dwf formats. If there is more than one document, all may be clubbed together and provided in the requested format. Bidders Bid documents may be scanned with 100 dpi with black and white option. It is advisable that each document to be uploaded through online for the tenders should be less than 2 MB. If any document is more than 2MB, it can be reduced through zip / rar and the same if permitted may be uploaded. The file size being less than 1 MB the transaction uploading time will be very fast.
14. The Bidders can update well in advance, the documents such as certificates, annual report details etc., under “My Space option” and these can be selected as per tender requirements and then send along with bid documents during bid submission. This will facilitate the bid submission process faster by reducing upload time of bids.
15. Bidder should submit the Tender Fee / EMD as specified in the tender. The hard copy should be posted / couriered / given in person to the Tender Inviting Authority, within bid submission due date and time as indicated in the tender. Scanned copy of the instrument should be uploaded as part of the offer.

16. The bidder has to select the payment option as offline to pay the Tender FEE / EMD as applicable and enter details of the instruments.
17. The details of the DD / any other accepted instrument, physically delivered, should tally with the details available in the scanned copy and the data entered during bid submission time, otherwise submitted bid shall not be acceptable or liable for rejection.
18. While submitting the bids online, the bidder shall read the terms and conditions and may accept the same to proceed further to submit the bid packets.
19. The bidder has to digitally sign and upload the required bid documents one by one as indicated. Very act of using DSC for downloading the bids and uploading their offers shall be deemed to be a confirmation that they have read, understood and agreed with all clauses of the bid document including General conditions of contract without any exception.
20. The bidder has to upload the relevant files required as indicated in the cover content. In case of any irrelevant files, the bid may be rejected.

### **PRICE BID**

21. If the price bid format is provided in a spread sheet file like BoQ\_XXXXX.xls, the rates offered should be entered in the allotted space only and uploaded after filling the relevant columns. The Priced-bid / BOQ template shall not be modified / replaced by the bidder; else the bid submitted is liable to be rejected for the tender.
22. The bidders are advised to submit the bids through online e-tendering system to the Tender Inviting Authority (TIA) well before the bid submission due date and time (as per Server System Clock). The TIA shall not be held responsible for any delay or the difficulties faced during the submission of bids online by the bidders.
23. The time settings fixed in the server side and displayed at the top of the tender site, shall remain valid for all actions of requesting, bid submission, bid opening etc., in the e-Tender system. The bidders should follow such time during bid submission.

### **EVIDENCE FOR ONLINE BID SUBMISSION**

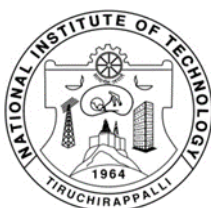
24. After the bid submission (i.e. after Clicking “Freeze Bid Submission” in the portal), the acknowledgement number indicated by the system should be printed by the bidder and kept as a record of evidence for online submission of bid for the particular tender and also be used as entry pass to participate in the bid opening.
25. All the data being entered by the bidders would be encrypted using Public Key Infrastructure (PKI) encryption techniques to ensure the secrecy of the data. The data entered is not retrievable by unauthorized persons during the bid submission and until the time of bid opening by any person.
26. Any bid document that is uploaded to the server is subjected to symmetric encryption using a system generated symmetric key. Further this key is subjected to asymmetric encryption using buyers/bid openers’ public keys. Overall, the uploaded tender documents become readable only after the tender opening by the authorized bid openers.
27. The confidentiality of the bids is maintained with the use of Secured Socket Layer (SSL) 128-bit encryption technology. Data storage encryption of sensitive fields is done.
28. The bidder should logout of the tendering system using the normal logout option available at the top right-hand corner and not by selecting the (X) exit option in the browser.
29. For any queries regarding e-Tendering process, the bidders may contact at address as provided in the tender document. Parallely for any further queries, the bidders are advised to contact over phone: **1-800-233-7315, 0120-4001005** or send an E-mail to [cppp-nic@nic.in](mailto:cppp-nic@nic.in).

\*\*\*\*\*

# NATIONAL INSTITUTE OF TECHNOLOGY TIRUCHIRAPPALLI – 15

Web: [www.nitt.edu](http://www.nitt.edu)

Phone: 0431 –250 3830



## TENDER DOCUMENT (TECHNICAL BID)

<b>Name of work</b>	<b>: Providing Roof Sheet top with Truss to arrest the leakage in Chemical Engineering Department Lab (2nd Lab) at NIT – Trichy.</b>
<b>Value of work</b>	<b>: Rs.15,12,960/- (Plus GST Extra Applicable)</b>
<b>Tender Enquiry No.</b>	<b>: NITT/EMD/EE/CVL/Tender/2024-25/15 Dt. 30.10.2024</b>
<b>Period of Contract</b>	<b>: 60 Days</b>

NATIONAL INSTITUTE OF TECHNOLOGY  
TIRUCHIRAPPALLI -620 015.  
Estate Maintenance Department

**NOTICE INVITING TENDER**

<b>01.</b>	Name of work	Providing Roof Sheet top with Truss to arrest the leakage in Chemical Engineering Department Lab (2nd Lab) at NIT – Trichy.
<b>02.</b>	Estimated Cost	<b>Rs. 15,12,960/- (Plus GST Extra Applicable)</b>
<b>03.</b>	i) Earnest Money Deposit	<b>Rs. 45,390/-.</b> (submission of Demand Drafts (original) for EMD to the Tender Inviting Authority)
	ii) Performance Guarantee	<b>5%, subject to finality at the time of issue of work order value</b>
<b>04.</b>	Completion Time	<b>60 Days</b> (From the date of commencement of the work which will be reckoned from the date of handing over of site to the Contractor)
<b>05.</b>	Cost of Tender Document	<b>NIL</b>
<b>06.</b>	Last Date and Time for submission of E-Tender	<b>20.11.2024 (12.00Hrs)</b> (Server time). Late bids shall not be accepted.
<b>07.</b>	a) Date and Time of Opening of E-Technical Bid	<b>21.11.2024 (15.00Hrs)</b> (Venue: Stores and Purchase Section, National Institute of Technology, Tiruchirappalli-620015)
	b) Opening of Price bid	After evaluation of technical bids, the date, time and place of opening of the Price bid will be intimated to technically qualified bidders.
<b>08.</b>	Maintenance Period	6 (Six Months from the date of actual completion of the entire work and handing over to National Institute of Technology)
<b>09.</b>	Address for submission of Tender	<b>The Director, National Institute of Technology, Tiruchirappalli - 620 015</b>  <b>KIND ATTENTION TO: The Executive Engineer, EMD Department</b>
<b>10.</b>	Procedure for submission of Bid	As Per the E-Bidding Procedure

Name of the Agency

Submitting the tender

.....

**Details to be furnished by the Contractor. (Must be fill and attached)  
(To be provided by the bidder in their business letter head)**

**Ref: NITT/EMD/EE/CVL/Tender/2024-25/15 Dt. 30.10.2024**

Sl.No	Description / Requirement from the tenderer	Tenderer's response should be clear, firm, complete & legible. If necessary, separate sheet shall be used.
1	Name & Complete address of the tenderer with contact details: Mobile No/ Email ID	
2	MSME/NSIC/ Any Firm Registration No: Company Name & Address: Validity : Product for which registered:	
3	Status of the tenderer: Proprietorship / Partnership / Private Limited. / Public Limited	
4	Details of Contract Registration with Govt. depts. Class and value (If available)	
5 (a)	Details of PAN	
5 (b)	Employees provident fund Registration:	
5 (c)	Employees State Insurance Registration:	
5 (d)	GST Registration:	
6	Copy of Income Tax Return for the last 3 Financial years ending 31.03.2024	
7	Details of similar works executed with Govt. depts./reputed private Ltd, companies or educational institution/universities during last 5 years ending 30.09.2024.	
8	Details of Machineries	Use Separate Sheet.

**Note:** Relevant certificates for items 2-8 are to be upload in PreQual/Technical Cover.

I/We hereby certify that the information furnished above and the attached documents as proof of the information are true and correct to the best of our knowledge.

I/We also authorize the Director / NITT or his representative to approach the source of the certificate to verify our competence, if required, for processing the tender.

**Signatory of Bidder with Seal**



**NATIONAL INSTITUTE OF TECHNOLOGY,  
TIRUCHIRAPPALLI  
NOTICE INVITING TENDER**

Tender Notification No.: **NITT/EMD/EE/CVL/Tender/2024-25/15 Dt. 30.10.2024**

National Institute of Technology, Tiruchirappalli invites E - tender, in **Three cover system (1.EMD Fee, 2. Technical Bid and 3. Financial bid)** following work:

Name of the Work	EMD	Period
<b>Providing Roof Sheet top with Truss to arrest the leakage in Chemical Engineering Department Lab (2nd Lab) at NIT – Trichy.</b>	Rs. 45,390/-.	<b>60 Days</b> (From the date of commencement of the work which will be reckoned from the date of handing over of site to the Contractor)

**ELIGIBILITY CRITERIA: -**

i) Contractors who fulfill the following criteria are eligible to submit the tender. Experience of having successfully completed similar Civil construction /Maintenance works during the last 5 (Five) years up to 30-09-2024 that should be either of the following:

- a. One similar work (at least one of them should be for Central/State Government / Central/State Autonomous Bodies / Public Sector Undertaking/Private limited company /Reputed Education Institute) each costing not less than 80% of the tender value.

OR

b. Two similar works (at least one of them should be for Central/State Government / Central/State Autonomous Bodies / Public Sector Undertaking/Private limited company /Reputed Education Institute) each costing not less than 60% of the tender value.

OR

c. Three similar works (at least one of them should be for Central/State Government / Central/State Autonomous Bodies / Public Sector Undertaking/Private limited company /Reputed Education Institute) each costing not less than 40% of the tender value.

Similar works and Similar work under this clause mean Maintenance / Repair works / Civil constructions of building and water supply etc or Maintenance work to educational buildings / institutional ~~buildings~~ / commercial buildings / public buildings / hostels / factories. Necessary documentary proof like completion certificates in case of works carried out for Government Departments and TDS in case of works carried out for private parties should be enclosed in addition to the completion certificates. The work order without completion certificate will not be considered for evaluation of the tender.

**In order to prove the relevant experience in executing similar projects, bidder must provide both a Work Order and a Work Completion Certificate or Performance Certificate for each relevant project cited. It is not mandatory to attach Work Completion Certificate/Performance Certificate, for those works carried out at this institute (NIT-Trichy).**

“Cost of work” for this clause shall mean final cost as mentioned in the final bill carried out under single contract including cost of materials, if any, supplied by clients. However, the cost of materials issued free of cost shall not be considered for calculating the cost of work.





NATIONAL INSTITUTE OF TECHNOLOGY  
TIRUCHIRAPALLI -620 015.  
Estate Maintenance Department

**INSTRUCTION TO TENDERERS**

- 1) The tender value includes cost of cement, reinforcement steel, structural steel and all other related material required for completion of the work.
  - 2) Time is the essence of the contract. Being a time bound project, the contractor should make all efforts to complete the work in time.
  - 3) Even though the overall completion period is indicated as **60 Days** the work shall be completed progressively and handed over as per agreed split up schedule if any.
  - 4) The tenderers are advised to visit the site and get themselves acquainted with the site conditions before submitting the offer.
  - 5) **Tender quantity is only approximate and liable for variation upto  $\pm 30\%$  as per CPWD works manual 2014 without entitling the tenderer to any compensation, till the total value of contract vary by more than 10% (Ten percentage). If the quantity exceeds more than 30% and any extra items, after getting approval from the competent authority, the bill may be processed.**
  - 6) Quoted rate shall remain valid for a period of **120 days** from the date of tender opening for the release of work order and will be firm throughout the contract period of **60 Days** or till completion of work, once awarded and no cost escalation is allowed on any account.
  - 7) The item rate offered is for finished item of works and shall provide for the complete cost towards fuel, tools, tackles, plant & machinery, temporary works, labour, materials, levies, taxes, transport, lay-out, repairs, rectifications, maintenance till handing over, supervision, labour colonies, establishment, services, roads, revenue expenses, overheads, profits & all other incidentals etc., complete. Rate quoted shall exclude GST. The applicable GST can be reimbursed by NITT along with the running / final bill on production of documentary evidence by the agency for having paid the GST to the authorities concerned.
- The Tenderer should be a GST Registered Contractor. If the proof of ESI, EPF & GST registration is not furnished the tender of the tenderer will not be eligible for opening price bid and become disqualified.**
- 8) Some changes are likely in the quantities furnished as well as in the layout, design and specifications of the work. The rates quoted shall be deemed to be inclusive of all such contingencies.
  - 9) The work shall be carried out as per drawings released then and there, BIS/CPWD specifications, and standard code of practice and as per the instructions of Engineer-in-charge. The brief description of items of work is given in the bill of quantities.
  - 10) **For any item of work not covered in Bill of Quantities, the rate will be arrived based on the procedure given in CPWD manual 2019. The contractor is also bound by the "Manual for Procurement of Consultancy and other services 2017" and "Manual for Procurement of works 2019".**
  - 11) Since the responsibility for the quality, workmanship and accuracy of any work being carried out under this contract lies with the contractor, the contractor should ensure that no work is done without the presence of contractor's representative at the work spot, whose strength depends on the value of contract awarded. The contract should arrange for surveying construction site at his own cost.
  - 12) The decision of Engineer-in-charge shall be final and binding on the contractor regarding clarification of items in this tender schedule.
  - 13) The works contract to be entered into with the successful tenderer will be governed by the CPWD Works Manual in force.
  - 14) The contractor shall strictly adhere to various labour laws in force.

- 15) To safeguard the persons working at height in roof, wall etc., sufficient number of Industrial Safety nets shall be provided at tenderer's cost in appropriate level and locations. The working hand including Supervisors, Engineers should wear the personal protective items and safety measures such as helmets, safety belts, shoes, etc., before entering into working place.
- 16) The tenderer has to deploy adequate labour of required categories such as Unskilled, Skilled, Mason, Carpenter, Plumber, Welder, Fitter, Mistry, Technically Experienced, etc. so as to execute the works simultaneously in all areas of work.
- 17) Expertise labour only to be engaged for specialized items of work like laying of ceramic tiles, marbles, cuddapah slabs, granite slabs and false ceiling, partition, wall paneling, architectural finishing etc. and work experienced persons shall be engaged for fabrication, water supply, railway track laying and aligning works, sewerage system work, etc.
- 18) The contractor shall follow norms of NITT security system for movement of men & materials within the complex.
- 19) All the works shall be executed as per the standard specifications as provided in CPWD / BIS.
- 20) All the materials to be used in the work and the nature of work shall conform to the respective CPWD& BIS and National Building Organization, Standard Specifications forming part of "DELHI STANDARD SCHEDULE OF RATES" specifications and shall be got approved by the Engineer-in-charge before actual incorporation in the work.
- 21) All materials brought by the Contractor for incorporation in the work shall be got inspected and approved by the Engineer-in-charge before they are incorporated in the work.
- 22) The contractor should extend fullest co-operation with the third-party agencies engaged, if any by NITT, to adhere the Quality Control Procedures ensuring quality.
- 23) The contractor should extend full co-operation to the other contractors who may be doing other works in the same areas to enable them to execute their portions of work without any delay or difficulty.
- 24) Tenderers are requested to furnish the duly filled in E format attached as separate sheet along with a cancelled Cheque leaf to accept Electronic fund transfer / R T G S transfer for any payment from NITT, Trichy.
- 25) No advance / mobilization advance will be given.
- 26) LD / Penalty clause is applicable as per CPWD Works Manual in force.
- 27) NITT reserves its right to reject a tender due to unsatisfactory past performance in the execution of a contract awarded against a different Tender.
- 28) The contractor's responsibility under this contract shall commence from the date of receipt of the LOI by the tenderer. The scheduled period of completion for this work is as mentioned in page No. 01, and the Contractor will have to plan his work accordingly.
- 29) Generally, the maintenance period for any work under NITT will be SIX (6) MONTHS from the date of completion.
- 30) Bidder should submit the EMD only in the form of Demand Draft as specified in the tender. The hard copy should be posted / couriered / given in person to the Tender Inviting Authority, within bid submission due date and time as indicated in the tender. Scanned copy of the instrument should be uploaded as part of the offer.
- 31) Any deviation to this tender terms & condition and schedules of this tender will cause total rejection of the offer submitted
- 32) Incomplete offers will become liable for rejection.
- 33) **The Proprietorship / Partnership / Private Limited. / Public Limited contractor should submit the declaration form that we have not block listed from any Govt. depts./reputed private Ltd, companies or educational institution/universities during last 3years.**
- 34) In the event of the disputes, differences, claims and questions arising between the parties here to arising out of this agreement or anyway relating here to or any term, condition provisions herein mentioned or the validity, interpretation, thereof or otherwise in relation hereto, all such dispute claims or question shall be referred to Sole Arbitrator appointed by the NITT. Such arbitration shall be held in accordance with the provisions of arbitration and

conciliation act 1996 or re-enactment thereof for the time being in force and arbitration proceedings shall be held at Tiruchirappalli. All legal disputes shall be subject to the jurisdiction of court at Tiruchirappalli.

35) **Earnest Money Deposit:**

Earnest Money is to be paid by each tenderer to ensure that the tenderer does not refuse to execute the work after it is awarded to him. Shall also be furnished in the form of Pay Order or Demand Draft in favour of **The Director, NIT Tiruchirappalli**. EMD in any other form will not be accepted. Bids submitted without EMD will summarily rejected. NSIC/MSME registered agencies are not exempted from EMD.

EMD of the successful contractor shall be refunded when the work is completed and unsuccessful contractor shall be refunded immediately after finalization of the contractor. EMD shall not carry any interest.

**Non submission of Demand Draft in original to the Tender Inviting Authority, Technical Bid will be rejected.**

36) **Performance guarantee (Bid Security):**

**(1) Performance Guarantee @ 5%, subject to finality at the time of issue of work order value should be submitted before commencement of the work in the following forms:**

- i) Deposit at Bankers Cheque/Demand Draft of a Scheduled Bank
- ii) Government securities.
- iii) Fixed Deposit Receipt (FDR) of a Scheduled Bank.
- iv) An irrevocable bank guarantee bond of any scheduled bank or the State Bank of India.

(2) The time allowed for submission of the performance guarantee by the contractor shall be Decided by the NIT approving authority for a period ranging from 4 to 15 days of issue of the letter of acceptance, depending upon the magnitude and/or urgency of the work.

37) **Refund of Performance Guarantee:**

**The performance guarantee shall be refunded to the contractor soon after the completion of maintenance period of Six months of the work. The deposited performance guarantee amount will not carry any interest. It is contractor responsibility to ask for the refund of performance guarantee within one year from the date of completion. The late claim (after 1 years from the date of completion of contract) will not be entertained. The PG shall be forfeited.**

38) If the tenderer deliberately gives wrong information in his tender or creates conditions favorable for the acceptance of his tender, NITT reserves the right to reject such tender at any stage.

39) Canvassing in any form in connection with tenders is strictly prohibited and the tenders submitted by the contractors who resort to canvassing will be liable to rejection

40) This tender notice shall be deemed to form an integral part of the contract to be entered into for this work.

41) The tenderers are advised to go through the condition stipulated in Tender document & code of conduct for Safety of Contract Labourer in details. Any violation thereof will invite punitive action being taken against them. While quoting the rate all the above factors are to be considered.

42) **ARBITRATION:**

Except where otherwise provided for in the contract all questions and disputes relating to the meaning of the specifications, designs, drawings and instructions hereinbefore mentioned and as to the quality of workmanship or materials used on the work or as to any other question, claim, right, matter or thing whatsoever in any way arising out of or relating to the contract, designs, drawings, specifications, estimates, instructions, orders or these conditions or otherwise concerning the work or failure to execute the same whether arising during the progress of the work or after the completion or abandonment thereof shall be referred to the sole arbitration of the mutually appointed Arbitrator, the proceedings shall be in English and in accordance with Alternative Dispute Resolution (ADR) Act 1996 or any amendment thereof . The decision of the sole Arbitrator is binding and conclusive.

It is a term of the contract that the party involving arbitration shall specify the dispute or disputes to be referred to arbitration under this clause together with the amount or amounts claimed in respect of each such dispute. The arbitrator(s) may from time to time with consent of the parties enlarge the time for making

and publishing the award. The work under the Contract shall, if reasonably possible, continue, during the arbitration proceedings and no payment due or payable, to the Contractor shall be withheld on account of such proceeding.

The arbitrator shall give a separate award in respect of each dispute or difference referred to him. The venue of arbitration shall be such place as may be fixed by the mutual agreement of the parties. The award of the arbitrator shall be final, conclusive and binding on all parties to this contract. In the event of disputes or differences arising between one public sector enterprise and a Govt. Department or between two public sector enterprises the above stipulations shall not apply or its amendments for arbitration shall be applicable.

43) **FORCE MAJEURE CLAUSE:**

If at any time during the continuance of this contract, the performance in whole or in part by either party of any obligations under this contract shall be prevented or delayed by reason, of any war, hostilities, acts of the public enemy, civil commotion, sabotage, fires, explosions, epidemics, quarantine, restrictions or acts of GOD (hereinafter referred to as events) then provided notice of happening of any such events is given by either party to other within twenty-one days from the date of occurrence thereof neither party shall reason of such events be entitled to terminate this contract nor shall either party have any such non-performance and delay is resumed as soon as practicable after such events has come to an end or ceased to exist. If the performance in whole or part of any obligation under this contract is prevented or delayed by reason or any such event claims for extension of time shall be granted for period considered reasonable by NITT subject to prompt notification by the tenderer to NITT of the particulars of the events and supply to the NITT if required of any supporting evidence. Any waiver of time in respect of partial instalment shall not be deemed to be a waiver of time in respect of remaining deliveries.

The correspondence exchanged against the tender from both tenderer and NITT through email are considered as valid document legally though it is not signed. It is treated as valid confirmations made on behalf of the respective company and very much comes under the legal ambit of the business transaction and hence it is binding on both the parties to the business.

Any transaction pertaining to the tender from both the parties of business done round the clock irrespective of the office or business hours of the companies, are valid legally and binding on both the parties. This applies to the extent only in such cases where deadline time for transaction is not specifically declared by either or both the parties to the business.

In case Letter of Intent (LOI) is issued through email, the PC generated time and date of mail shall be construed as the official time and date of release of LOI. In as much as this date is within the last date of validity given by the tenderer the LOI is said to have been issued within the validity period and shall be binding on both the parties to the business.

Tenderers participating in the tender should declare in their technical bid that whether they have been black-listed / kept on hold for a specified period / given Business holiday for a specified period by any Public sector undertaking or Government departments. The reasons for such action with details and the current status of such hold shall be clearly furnished to NITT. If no such details are mentioned in the offer then it will be construed that the subject tenderer is not under any such hold. But at a later date if it comes to the notice of NITT about any such hold under enforcement on the subject tenderer, NITT will have every right to reject the offer of such vendors at any point of time and also under any stage of the finalization of the subject tender irrespective of the status of the subject tenderer in that tender. Such tenderers will not be permitted to participate in the further tender proceedings and will be communicated suitably. They will not be also considered for any ongoing tenders even if participated till the hold is officially lifted and confirmed in writing.

44) **DISPUTE RESOLUTION MECHANISM**

In case of any dispute arising out during execution of the contract the following procedure will be followed for resolving the issue. The decision of competent authority, NIT Trichy in regard to the interpretation of the terms and conditions shall be final and binding which shall not be called in question in proceedings before any forum. The Institute rules shall be binding for execution of the contract. Further, in case of any dispute arising out of or in connection with the aforesaid contract either during subsistence of the contract or thereafter will be settled at his/her level by mutual consultation and in case of failure, Clause 9 Arbitration proceedings mentioned in this tender will be in effect. Jurisdiction for any dispute claims shall be made in courts/ Tribunal having jurisdiction over Trichy, TN, India.

45) **COMPENSATION FOR DELAY:**

If the contractor fails to maintain the required progress or to complete the work and clear the site on or before the contracted or extended period of completion, he shall, without prejudice to any other right or remedy of the NITT on account of such breach, pay as agreed compensation an amount calculated as stipulated below or such smaller amount as may be fixed by the NITT on the contract value of the work for every week that the progress remains below or that the work remains incomplete. This will also apply to items or groups of items for which a separate period of completion has been specified.

For this purpose, the term 'Contract Value' shall be the value at contract rates of the work as ordered and the compensation for delay is by way of recovery at **1 percent** of contract value per week of delay provided always that the total amount of compensation for delay to be paid under this condition shall not exceed **10%** of the contract value or of the contract value of the item or group of items of work for which a separate period of completion is given. The amount of compensation may be adjusted or set-off against any sum payable to the Contractor under this or any other contract with the NITT.

## **GENERAL CONDITIONS OF CONTRACT**

1. No night work will be permitted without the written permission of the Engineer – in – charge.
2. **Items of work other than those mentioned in the Bill of Quantities (Tender Schedule) attached hereto will be carried out at the rates to be fixed by this organization as per relevant clauses of CPWD Works Manual.**
3. Permission for erection of temporary work sheds etc., at site will have to be obtained from NITT in writing in advance.
4. **The works contract to be entered into with the successful tenderer will be governed by the CPWD works Manual 2019 or other GOI manual provisions including CPWD manual 2014.**
5. The successful tenderer / Contractor shall observe all safety regulations and take necessary safety precaution as called for and Safety Precautions enclosed herewith.
6. In all matters of dispute, the decision of the Director, National Institute of Technology, Tiruchirappalli -620 015. Shall be final and binding on the tenderer / contractor.
7. Some changes are likely in the quantities furnished as well as in the layout, design and specifications of the work. The rate quoted shall be deemed to be inclusive of all such contingencies.
8. Engineer in charge / Civil or his duly authorized representative shall have all reasonable times access to Contractor's premises of work and shall have the power at all the reasonable times to inspect and test any portion of the work or examine the materials and workmanship of the structures during their manufacture and test. The contractor shall give due notice in writing to the Inspecting Engineer of NITT when the materials supplied to be incorporated in the work are ready for Inspection and test. No material shall be incorporated in the work until the inspecting Engineer certified in writing that such materials have been inspected and approved by him or else the rejected material should be removed from site immediately.
9. The Contractor shall closely scrutinize all the drawings issued in connection with the work by this organization and bring to the notice of the Engineer-in-charge if any discrepancies, omissions in the drawings before undertaking the actual work pertaining thereto.
10. **The contractor should submit a detailed overall completion schedule before commencement of work.**
11. The contractor should submit in advance every fortnight a detailed program of work to be undertaken from time to time strictly in conformities.
12. The contractor should extend full co-operation to the other contractors who may be doing other works in the same areas to enable them to execute their portions of work without any delay or difficulty.
13. **The contractor should submit the final bill within 15 days from the completion of work.**
14. **The water charges will be recovered at the rate of 1% of the executed value.**
15. **Temporary electric supply will be provided on requirement basis and electrical charges will be collected on actual consumption.**
16. If there is a discrepancy between unit price, the unit price will be considered. If there is any mismatch between figure and word, the amount in word shall prevail.
17. If any arithmetic mistake in total/GST calculation is observed, the same shall be corrected by the purchaser with an intimation to bidder.
18. Bids submitted without EMD will be treated as disqualified.

## **SPECIAL CONDITIONS OF CONTRACT**

1. The contractor who have been terminated during the last three years is not eligible to participate in the tender. If tenders are submitted from them, those documents will not be considered for evaluation.
2. The quantities given in the Bill of quantities of the tender are approximate only.
3. Permission for erection of temporary work sheds etc., at site will have to be obtained from NITT in writing in advance.
4. NITT will not be liable for any medical attention, injury / loss of life of the person engaged by the contractor.
5. During execution of the work, if there is any delay, stoppage of work on any reason, the same shall be recorded by the contractor in the hindrance register available with EMD, with the signatures of the concerned authorities.

### **GENERAL SAFETY PRECAUTIONS TO BE FOLLOWED AT WORK SITE DURING EXECUTION**

**The following safety measures should be strictly adhered to, during execution of works at sites.**

1. Providing the working platform with toe board and handrail for continuous working at heights.
2. Providing safety belt and life line at all times for men working at heights.
3. Providing dust or fume respirator in places where dust and fume concentration exists.
4. Providing goggles and welding screens.
5. Providing acid and alkali proof rubber gloves for handling acid and alkali and chemical which are corrosive.
6. Providing rubber gloves for working on electrical works.
7. Ensuring proper lashing of the components while being transported in vehicles.
8. The vehicles must have side supports or have body to support the materials conveyed.
9. The materials should not be allowed to extend or overflow the sides of the vehicles.
10. Materials should not be allowed to overhang from the rear edge of the body of the vehicle.
11. Driver of the vehicle must possess license.
12. Vehicle must not be overloaded prescribed limits.
13. Red flags and lights for parts projecting from the body of vehicle must be provided.
14. The speed restrictions within the Institute must be strictly adhered to.
15. The gas cylinders must be always handled on trolleys or kept tied down not in use. They should never be rolled as Roller for conveying.
16. Cylinders should not be used without regulators.
17. All excavations must be barricaded and red lamps must be provided.
18. All electrical connections must be properly earthed.
19. Providing helmet, safety belt, etc., for high level work and sufficient number of Industrial Safety nets at appropriate level to safeguard the persons working at high level particularly in roofing etc.,
20. All personal protective equipment conforms with standard specification and Contractor including their sub-contractors, agents and labour engaged on the work are required to scrupulously adhere to the safety regulations, safety precautions and measurers. Any violation thereof will invite punitive action being taken against them. Also, contractors with frequent violations of safety regulations will not be entrusted with further work in this organization.

21. In the event of any injured/fatal accident for the work men during the course of contract period, the compensation and other medical expenses towards the incident is lies with the contractor. No way is NITT responsible.

## SAFETY PRECAUTIONS TO BE OBSERVED WHILE TRANSPORTING MATERIALS

### **I. VEHICLE**

1. Vehicles carrying material should have proper registration documents and must be produced on demand by our Security Staff.
2. The light on right side, i.e., over the driver's cabin shall be in working condition.
3. Both the head lights as well as park lamps must be in working conditions.

### **II. MOVEMENT OF VEHICLE**

1. The vehicle should not travel at more than 20 km.ph in our premises.
2. The Driver of the vehicle must possess heavy duty license and produce on demand by the Security Staff.
3. Vehicles carrying inflammable liquids in the tank containers should have grounding chain or the tank should be coated with insulating material also to avoid Static Electricity.
4. In road junctions, speed breakers and railway crossing, the speed should be lowered and vehicle should proceed cautiously.
5. The driving should 'KEEP TO THE LEFT' at all places.
6. The vehicle should not be parked in road which could obstruct the vehicular traffic.
7. No person other than driver should be allowed to sit or stand on the prime mover or trailer.
8. The vehicle should pass only through the approved routes. Short cuts should be forbidden.
9. There must be a safe distance behind another moving truck.
10. The driver should avoid making quick starts, jerky stops or quick turns at excessive speed.

## **TERMS AND CONDITIONS REGARDING COMPLIANCE WITH VARIOUS LABOUR LAWS BY THE CONTRACTORS FOR NITT**

1. The Contractor shall not employ in connection with the work any person who has not completed 18 years of age.
2. The Contractor shall in respect of labour employed by him either directly or through subcontractors, comply with or cause to be complied with the following statutory provisions and rules and in regard to all matters provided therein.
  - a) The Contract Labour (Regulation & Abolition) Act 1970
  - b) The Minimum Wages Act 1948 and related Central Rules.
  - c) The Payment of Wages Act 1936 and related Central Rules.
  - d) The Employee's Provident Fund & Miscellaneous Provisions Act 1952.
  - e) The Employees State Insurance Act 1948.
  - f) The Workmen Compensation Act 1923.
  - g) The Industrial Disputes Act 1947.



h) The payment of bonus act 1965

And any other law or modifications to the above or to the Rules made thereunder from time to time.

3. The Contractor employing 20 or more workmen is required to obtain license from the authorities (The Deputy Chief Inspector of Factories / Assistant Commissioner of Labour as the case may be). The license shall be amended and / or renewed wherever, there is an increase in the workmen employed by him or in the event of contract being extended or renewed. The Contractor shall inform the license number to the NITT Management before taking up the work.
4. The Contractor (Licensed or unlicensed) shall promptly furnish every information and document required by NITT authorities for the purpose of fulfilling their obligations as Principal Employer and shall render all necessary assistance for the same.

#### **REGISTERS & RECORDS: -**

The Contractor shall maintain all registers and records in the proper manner and as required by the regulations of the various authorities concerned and indemnify the Employer from the consequences due to any inaccurate or faulty documentation on the part of the Contractor. .

#### **SUBMISSION OF BILLS BY CONTRACTOR: -**

The Contractor at the end of each month shall submit a bill in triplicate, if required, detailing the various items of work done during the month supported by the requisitions issued from time to time. The Contractor shall, once in every month, submit to the EE / EMD separately details of his claims for the work done by him up to and including the previous month which are not covered by his contract agreement in any of the following respects:

- a) Deviation from the items provided in the contract documents.
- b) Extra items / new items of work.
- c) Items in-respect of which rates have not been settled. He should in addition furnish a clear certificate to the effect that the claims submitted by him as aforesaid cover all his claims and that no further claims shall be raised by him in respect of the work done upto and including the period under report.

#### **PAYMENT OF BILLS:-**

All payments to be made to the Contractor, under this contract shall be by NEFT or RTGS within a reasonable time (~90 days), after the certification of bills by the execution department.

#### **RECOVERY FROM CONTRACTOR: -**

Whenever under the contract, any sum of money, shall be recoverable from or payable by the Contractors, the same may be deducted from or any sum then due or which at any time thereafter may become due to Contractor under the contract or under any other contract with NITT or from his Security Deposit or he shall pay the claim on demand.

#### **CANCELLATION OF CONTRACT FOR CORRUPT ACTS: -**

NITT, whose decision shall be final and conclusive, shall without prejudice to any other right or remedy which shall have accrued shall accrue thereafter to NITT cancel the contract in any of the following cases and the Contractor shall be liable to make payment to NITT for any loss or damage resulting from any such cancellation to the same extent as provided in the case of cancellation for default,

**If the Contractor shall: -**

- a) Offer or give or agree to give to any person in NITT service any gift or consideration of any kind, as an inducement or reward for doing or for bearing to do or for having done or for borne to do any act, in relation to the obtaining or execution of this or any other contract for NITT service,

**OR**

- b) Enter in to a contract with NITT in connection with which commission has been paid or agreed to be paid by him or with his knowledge, unless the particulars of any such commission and the terms of payment thereof have previously been disclosed in writing to NITT.

**OR**

- c) Obtain a contract with NITT as a result of ring tendering or by non-bonafide methods of competitive tendering, without first disclosing the fact in writing to NITT.

**CANCELLATION OF CONTRACT FOR INSOLVENCY ASSIGNMENT OF TRANSFER OR SUB-LETTING OF CONTRACT: -**

NITT, without prejudice to any other right or remedy which shall have accrued or shall accrue thereafter to NITT shall cancel the contract in any of the following cases:

**If the Contractor,**

- (a) Being an individual or if a firm any partner thereof shall at any time be adjudged bankrupt or have a receiving order for administration of his estate, made against him or shall take any proceedings for liquidation or composition under any bankruptcy Act or assignment of his effects of composition or arrangement for the benefit of his creditors or purport to do so, or if any application made under any

Bankruptcy Act for the time being in force for the sequestration of his estate or if a trust deed be granted by him on behalf of his creditors

**OR**

- (b) Being a Company, shall pass a resolution or the Court shall make an order for the liquidation of its affairs, or a receiver or Manager on-behalf of the debenture holders shall be appointed or circumstances shall arise which entitle the Court or debenture holders to appoint a receiver or Manager,

**OR**

- (c) Assigns, Transfers, Sub-lets or attempts to assign, transfer or sub-let any portion of the work without the prior written approval of the NITT.

- (d) Whenever NITT exercise the authority to cancel the contract under this conditions, NITT may have the work done by any means at the Contractor's risks and expenses provided always that in the event of the cost of the work so done (as certified by Engineer in charge which is final and conclusive) being less than the contract cost, the advantage shall accrue to the NITT and if the cost exceeds the money due to Contractor under the contract, the Contractor shall either pay the excess amount ordered by Estate Maintenance Dept. or the same shall be recovered from the Contractor by other means.

- (e) In case the NITT carries-out the work under the provisions of this condition the cost to be taken into account in determining the excess cost to be charged to the Contractor under this condition shall consist of the cost of the materials, hire charges of tools and plants and/or labour provided by the NITT with an addition of such percentage to cover superintendence and establishment charges as may be decided by Estate Maintenance Dept., whose decision shall be final and conclusive.

**CANCELLATION OF CONTRACT IN PART OF FULL FOR CONTRACATOR'S DEFAULT:**

**If the Contractor:**

- (a) Makes default in carrying out the work as directed and continues in that state after a reasonable notice from Engineer in charge or his authorized representative.
- (b) Fails to comply with any of the Terms and Conditions of the contract or after reasonable notice in writing with orders properly issued there under.
- (c) NITT may without prejudice to any other right or remedy which shall have accrued or shall accrue thereafter to NITT, CANCEL the contract as whole or in part thereof or only such work order or items

of work in default from the contract. Whenever NITT exercise the authority to cancel the contract as whole or part under this condition NITT may complete the work at the contractor's risk and cost (as certified by Engineer in charge, which is final and conclusive) being less than the contract cost, the advantage shall accrue to the NITT. If the cost exceeds the moneys due to the Contractor under this contract the Contractor shall either pay the excess amount ordered by Estate Maintenance Dept. or the same shall be recovered from the Contractor by other means. In case the NITT carries out the work or any part thereof under the provisions of the conditions the cost to be taken into account in determining the excess cost to be charged to the Contractor under this condition shall consist of the cost of the materials, hire charges of tools and plant and/or Labour provided by the NITT with an addition of such percentage to cover the superintendence and establishment charges as may be decided by the Engineer in charge, whose decision shall be final and conclusive.

**TERMINATION OF CONTRACT ON DEATH OF CONTRACTOR: -**

Without prejudice to any of the rights or remedies under this contract, if the Contractor dies, or if the firm is dissolved or the company is liquidated, NITT shall have the option of terminating the contract without compensation to the Contractor.

**SPECIAL POWER TO TERMINATION: -**

If at any time after the award of contract, NITT shall for any reason whatsoever not require whole or any part of the work to be carried out the Engineer in charge shall give notice in writing of the fact to the Contractor who shall have no claim to any payment of compensation or otherwise howsoever on account of any profit or advantage which he might have derived from the execution of the work in full but which he did not derive in consequence of the fore-closing of the work.

**LABOUR: -**

The Contractor shall remain liable for the payment of all wages or other moneys to his work-people or employees under the payment of Wages Act 1936, Employees Liability Act. 1938, Workmen's Compensation Act 1923 or any other Act or enactment, relating thereto and rules framed, there under from time to time.

**PRECAUTIONS AGAINST RISK: -**

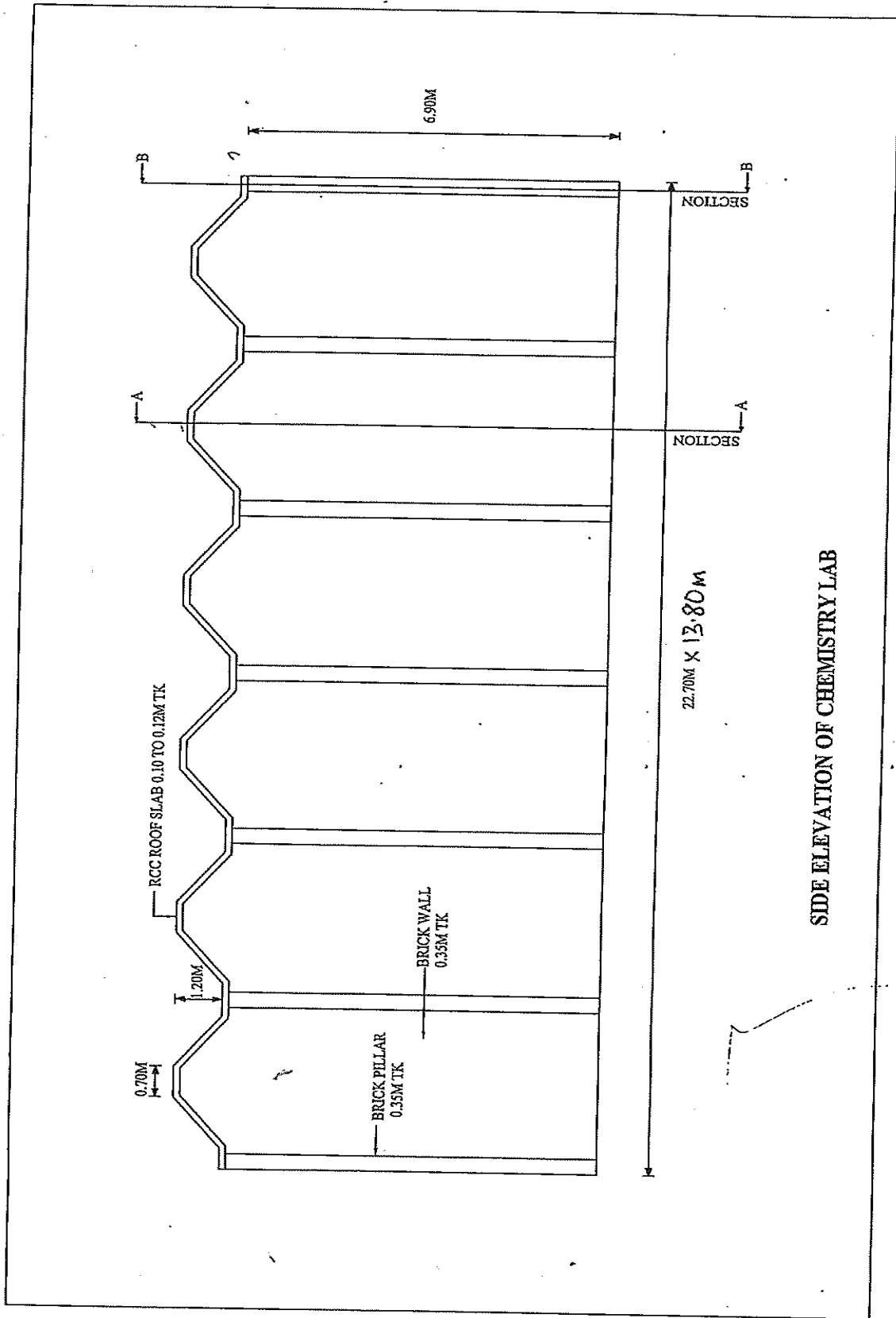
The Contractor shall be responsible for providing at his own expense for all precautions to prevent loss or damage from any and all risks and to minimize the amount of any such loss or damage and for the necessary steps to be taken for the said purpose.

**Rate for additional item / substituted item:**

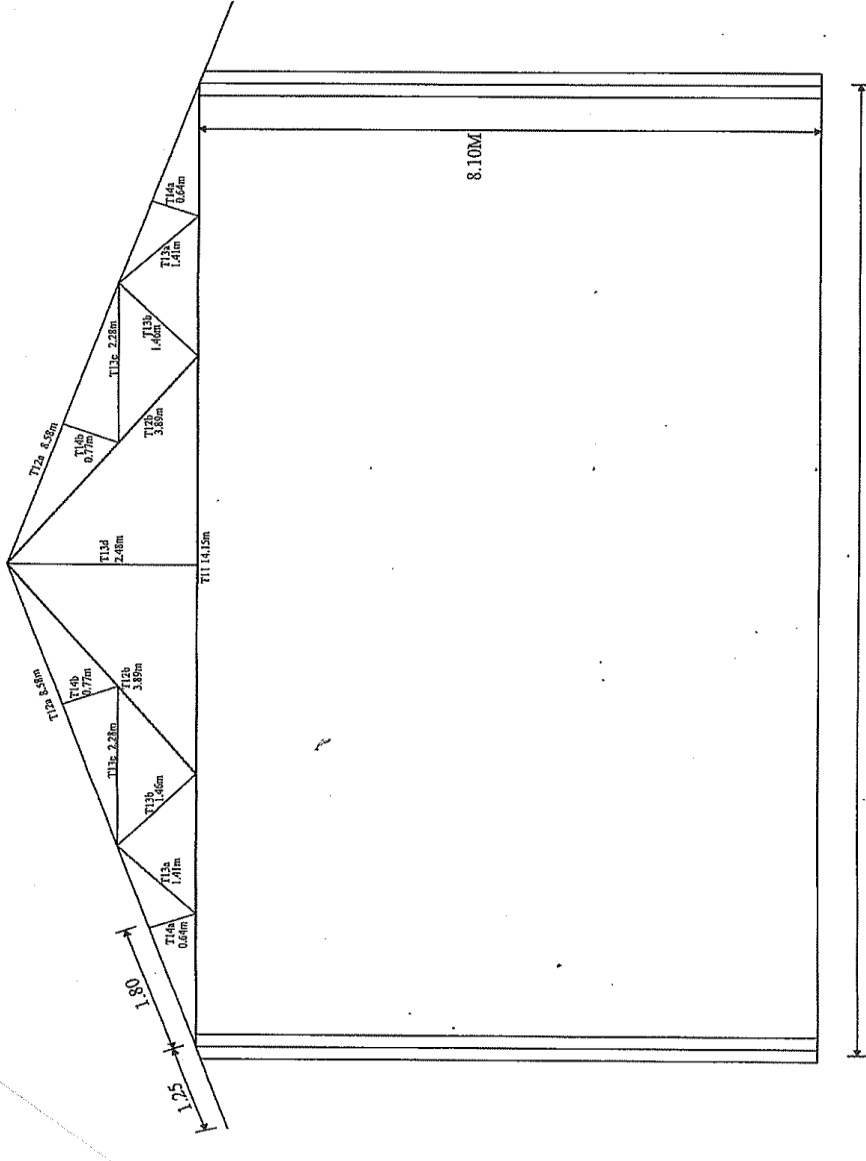
This will be as per CPWD works manual (or) the rate analysis based on the market rate for material and Labour prevailing at the time of execution at place of work as ascertained by Engineer in charge raised to the overall tender percentage at which the work was awarded to cover overheads / establishment / profit.

**Corrigendum / Amendment:**

It is tenderer's responsibility to watch for any corrigendum or amendment till the opening of a particular tender that will be posted only at NITT and CPPP web site.



**CHEMISTRY LAB MIDDLE TRUSS DETAILS - 6 NOS**



T11 - 1 X 14.15 = 14.15M
T12a - 2 X 8.58 = 17.16M
T12b - 2 X 3.89 = 7.78M
T13a - 2 X 1.41 = 2.82M
T13b - 2 X 1.46 = 2.92M
T13c - 2 X 2.28 = 4.56M
T13d - 1 X 2.48 = 2.48M
T14a - 2 X 0.64 = 1.28M
T14b - 2 X 0.77 = 1.54M
T15 putlin - 24 nos

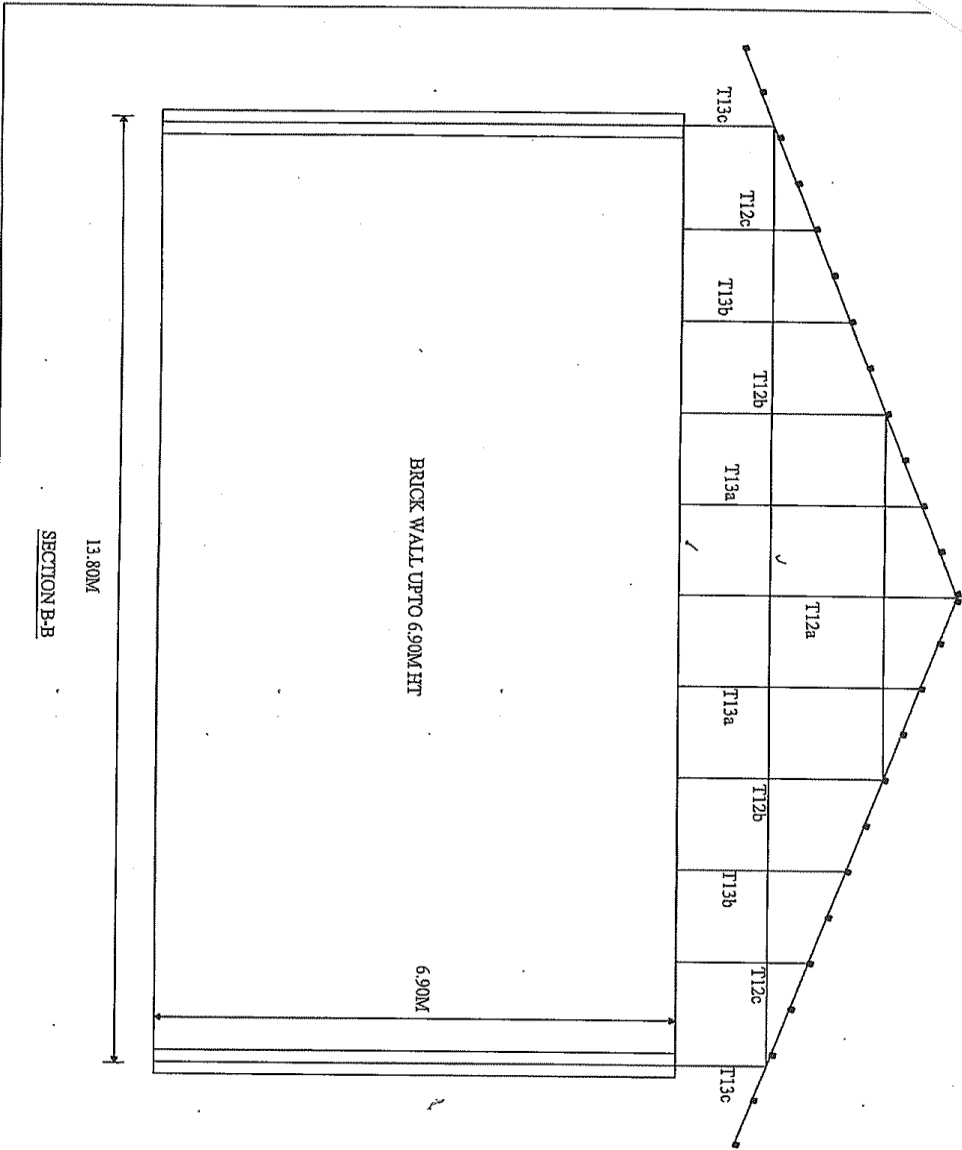
TOTAL LENGTH
T11 - 14.15 M
T12 - 24.94 M
T13 - 12.78 M
T14 - 2.82 M

SIZE
T11 - Tube - 122x61x4.5
T12 - Tube - 100x50x4
T13 - Tube - 50x50x3.6
T14 - Tube - 32x32x2.6
T15 - Tube - 50x50x2.9

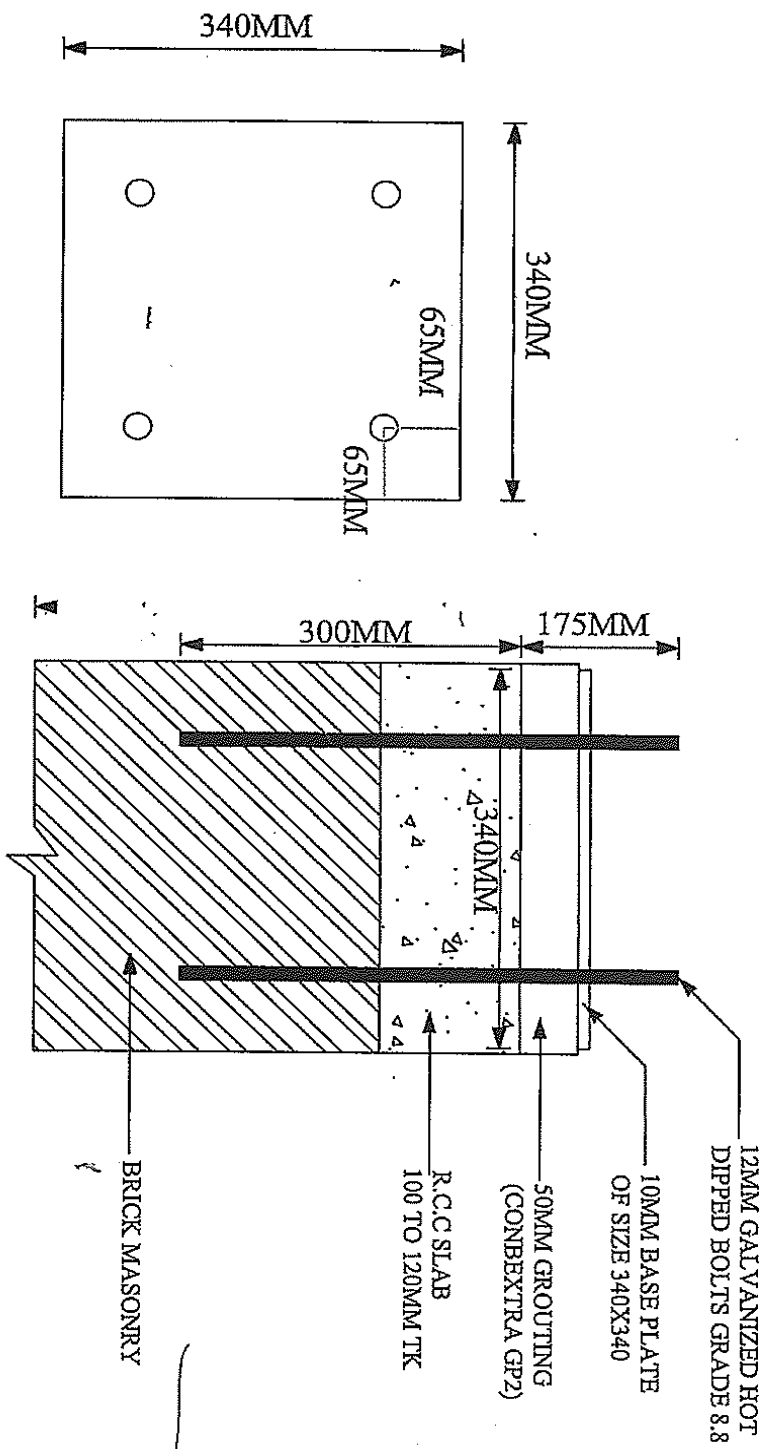
13.80M

SECTION A-A

**CHEMISTRY LAB CABLE END TRUSS DETAILS - 2 NOS**



T12a - 1 X 3.68 = 3.68M
T12b - 2 X 2.71 = 5.42M
T12c - 2 X 1.75 = 3.50M
T13a - 2 X 3.20 = 6.40M
T13b - 2 X 2.23 = 4.46M
T13c - 2 X 1.20 = 2.40M
<b>TOTAL LENGTH</b>
T12 - 7.09 M
T13 - 13.26 M
<b>SIZE</b>
T12 - Tube - 100x50x4
T13 - Tube - 50x50x3.6



**BASE PLATE AND ANCHOR BOLT DETAILS FOR CHEMISTRY LAB**

**NOTE**

1. For Anchoring base plate to the brick wall use Hhd HTT - HY 270 and HY 170

# NATIONAL INSTITUTE OF TECHNOLOGY TIRUCHIRAPPALLI – 15

Web: [www.nitt.edu](http://www.nitt.edu)

Phone: 0431 –250 3830



## PRICE BID

TO BE DULY TYPED, SIGNED AND STAMPED AND UPLOADED AS PDF IN THE E-TENDER. [THE OVERALL TOTAL OF THE PRICEBID TO BE INCORPORATED IN THE PROVIDED PRICEBID EXCEL FILE BoQ\_XXXXX.xls AND UPLOADED]

<b>Name of work</b>	<b>:</b>	<b>Providing Roof Sheet top with Truss to arrest the leakage in Chemical Engineering Department Lab (2nd Lab) at NIT – Trichy.</b>
<b>Value of work</b>	<b>:</b>	<b>Rs. 15,12,960/- (Plus GST Extra Applicable)</b>
<b>Tender Enquiry No.</b>	<b>:</b>	<b>NITT/EMD/EE/CVL/Tender/2024-25/15 Dt. 30.10.2024</b>
<b>Period of Contract</b>	<b>:</b>	<b>60 Days</b>



## SCHEDULE 'A'

### LIST OF WORKS AND PRICES

#### NAME OF WORK:

DETAILS & QUANTITIES of each item of work shown in the BILL OF QUANTITIES are only approximate. They are given as a guide for the purpose of tendering only and are liable to variation and alteration of the Competent Authority. The work under each item as executed shall be measured and priced at the corresponding rate quoted by the contractor in the BILL OF QUANTITIES

Sl.No.	Description of work / supplied	Total amount of work Rs. Ps.	Period of contract
1.	Providing Roof Sheet top with Truss to arrest the leakage in Chemical Engineering Department Lab (2nd Lab) at NIT – Trichy.	<b>Rs. 15,12,960/- (Plus GST Extra Applicable)</b>	<b>60 Days</b>

#### BILL OF QUANTITIES

Sl. No.	Item Description	Quantity	Units	BASIC RATE PER UNIT In <b>Figures To be entered by the Bidder</b>	TOTAL AMOUNT	TOTAL AMOUNT In Words
---------	------------------	----------	-------	----------------------------------------------------------------------	--------------	-----------------------

AS PER SEPARATE SHEETS ATTACHED CONTAINING 2 PAGES

PAGE No. 26 & 27

**BILL OF QUANTITIES**

**Item Rate BoQ**

**Tender Inviting Authority: The Director, NIT Tiruchirappalli**

**Name of Work: Providing Roof Sheet top with Truss to arrest the leakage in Chemical Engineering Department Lab (2nd Lab) at NIT – Trichy.**

**Contract No: NITT/EMD/EE/CVL/Tender/2024-25/15 Dt. 30.10.2024**

<b>Bidder Name:</b>	
---------------------	--

**PRICE SCHEDULE**

**(This BOQ template must not be modified/replaced by the bidder and the same should be uploaded after filling the relevent columns, else the bidder is liable to be rejected for this tender. Bidders are allowed to enter the Bidder Name and Values only)**

**Quoted Rate is exclusive of GST**

Sl. No.	Item Description	Quantity	Units	BASIC RATE PER UNIT In Figures To be entered by the Bidder	TOTAL AMOUNT	TOTAL AMOUNT In Words
1	Dismantling steel work in built up sections in angles, tees, flats and channels including all gusset plates, bolts, nuts, cutting rivets, welding etc. including dismembering and stacking within 50 metres lead.	500.00	Kg		0.00	INR Zero Only
2	Dismantling roofing including ridges, hips, valleys and gutters etc., and stacking the material within 50 metres lead of:					
2.1	G.S. Sheet	255.00	Sqm		0.00	INR Zero Only
3	Dismantling tile work in floors and roofs laid in cement mortar including stacking material within 50 metres lead.					
3.1	For thickness of tiles 10 mm to 25 mm	3.00	Sqm		0.00	INR Zero Only
4	Providing and fixing double scaffolding system (cup lock type) on the exterior side, up to seven story height made with 40 mm dia M.S. tube 1.5 m centre to centre, horizontal & vertical tubes joining with cup & lock system with M.S. tubes, M.S. tube challies, M.S. clamps and M.S. staircase system in the scaffolding for working platform etc. and maintaining it in a serviceable condition for the required duration as approved and removing it there after .The scaffolding system shall be stiffened with bracings, runners, connection with the building etc wherever required for inspection of work at required locations with essential safety features for the workmen etc. complete as per directions and approval of Engineerin- charge .The elevational area of the scaffolding shall be measured for payment purpose .The payment will be made once irrespective of duration of scaffolding. Note: - This item to be used for maintenance work judicially, necessary deduction for scaffolding in the existing item to be done.	400.00	Sqm		0.00	INR Zero Only
5	Steel work in built up tubular (round, square or rectangular hollow tubes etc.) trusses etc., including cutting, hoisting, fixing in position and applying a priming coat of approved steel primer, including welding and bolted with special shaped washers etc. complete.					
5.1	Hot finished welded type tubes	7550.00	Kg		0.00	INR Zero Only

6	Providing and fixing precoated galvanised iron profile sheets (size, shape and pitch of corrugation as approved by Engineer-in-charge) 0.50 mm (+ 0.05 %) total coated thickness with zinc coating 120 grams per sqm as per IS: 277, in 240 mpa steel grade, 5-7 microns epoxy primer on both side of the sheet and polyester top coat 15-18 microns. Sheet should have protective guard film of 25 microns minimum to avoid scratches during transportation and should be supplied in single length upto 12 metre or as desired by Engineerin- charge. The sheet shall be fixed using self drilling /self tapping screws of size (5.5x 55 mm) with EPDM seal, complete upto any pitch in horizontal/ vertical or curved surfaces, excluding the cost of purlins, rafters and trusses and including cutting to size and shape wherever required.	550.00	Sqm		0.00	INR Zero Only
7	Providing and fixing precoated galvanised steel sheet roofing accessories 0.50 mm (+0.05 %) total coated thickness, Zinc coating 120 grams per sqm as per IS: 277, in 240 mpa steel grade, 5-7 microns epoxy primer on both side of the sheet and polyester top coat 15-18 microns using self drilling/ self tapping screws complete :					
7.1	Ridges plain (500 - 600mm)	23.00	Metre		0.00	INR Zero Only
7.2	Barge board (Upto 300 mm)	40.00	Metre		0.00	INR Zero Only
8	Painting with black anti-corrosive bitumastic paint of approved brand and manufacture to give an even shade:					
8.1	Two or more coats on new work	1960.00	Sqm		0.00	INR Zero Only
9	Brick work with common burnt clay F.P.S. (non modular) bricks of class designation 7.5 in superstructure above plinth level up to floor V level in all shapes and sizes in:					
9.1	Cement mortar 1:4 (1 cement : 4 coarse sand)	2.00	Cum		0.00	INR Zero Only
10	Supply & fixing 12mm dia of 475mm length of galvanized hot dipped bolts (grade8.8)-4Nos in each anchoring points to the height of 6.90 m from the ground level rate includes making necessary holes in RCC/brick masonry using HILTI HIT - HY 270 and HY 170. Rate also includes providing and fixing 10mm thick base plate of size 0.34m x0.34m with conbextra GP2 grouting with 50m thick Drawing enclosed.	16.00	Each		0.00	INR Zero Only
11	12 mm cement plaster of mix :					
11.1	1:4 (1 cement: 4 fine sand)	17.00	Sqm		0.00	INR Zero Only
<b>Total in Figures</b>					<b>0.00</b>	INR Zero Only
<b>Quoted Rate in Words</b>		<b>INR Zero Only</b>				

**(For E-Tender)** **(Annexure – I)**  
**PROCESS COMPLIANCE/ACCEPTANCE OF TENDER CONDITIONS FORM**

**The Form has to be submitted in the Letter Head of the Firm/Company/Enterprises  
along with appropriate Sign & Seal**

**The Director,  
National Institute of Technology,  
Trichy – 15**

Sub : Acceptance to the Process related & Terms and Conditions for the-  
Limited tendering

Ref. : The Terms & Conditions for e-Tendering mentioned in Tender.

No. : \_\_\_\_\_

Sir,

We hereby confirm the following.

The undersigned is authorized representative of the company. We have carefully gone through the NIT Tiruchirappalli, Tender Documents and the Rules governing the Limited Tender along with this document. We have examined and have no reservations to the Bidding Documents, including addendum (if any). We offer to supply in conformity with the Bidding Documents and in accordance with the condition of contact specified in this tender document. We will honour the Bid submitted by us during the Limited Tender. We give undertaking that if any mistake occurs while submitting the bid from our side, we will honour the same.

Bid Securing Declaration: - We accept that if we withdraw or modify Bids during the period of validity, or if we are awarded the contract and fail to sign the contract, or to submit a performance security before the deadline defined in this bids document, we will be suspended / blacklisted / banned for contracts with National Institute of Technology, Tiruchirappalli

We are aware that if NIT Tiruchirappalli has to carry out e-tender again due to our mistake, NIT Tiruchirappalli has the right to disqualify us for this tender when re-floated. Our bid shall be valid for the period from the date fixed for the bid submission deadline & it shall remain binding upon us and accepted at any time before the expiration of bid validity period as per this tender.

If our bid is accepted, we commit to provide a performance security deposit at 3% to 5% of purchase value in Bank Guarantee /Fixed Deposits for due performance of the contract as per NIT Tiruchirappalli policy and warranty-guarantee as per tender specification or agrees as per contract. We understand that this bid, together with your written acceptance thereof included in your notification of award/placement of order, shall constitute a binding contract between us. We understand that you are not bound to accept the lowest evaluated bid or any other bid that you may receive. We accept that the competent authority in NIT Tiruchirappalli will have full right to reject any/all offer(s) without assigning any reason thereof and does not bind itself to accept the lowest or any other tender and full authority to postpone the tender issue date, submission /opening date or to alter any other condition of tender /cancellation of this tender, as per policy/committee recommendations of NIT Tiruchirappalli at any stage without assigning any reason thereof for which no claim from whomsoever will be entertained. I/We the undersigned have read the entire terms and conditions of this Tender document and we are fully agreeable to the terms and conditions mentioned herein. The decision of competent authority of NIT Tiruchirappalli with respect to this Tender-Result will be fully agreeable and binding on us.

This letter can be treated as signed and acceptance copy of tender documents and the forms submitted as signed by competent authority of firm submitting this tender and there is no need to submit separate signed copy of tender document.

Competent Authority of the Firm/Company/Enterprises to sign:

Name

Designation

Contact Details

Date with stamp & seal of organization:

Contract Agreement No.....

**TENDER**

To

The Director,  
National Institute of Technology  
TIRUCHIRAPPALLI –620 015.

I / We hereby offer to carry out the work of

I / We hereby carefully perused the following documents connected with the above noted work and agree to abide by the same.

- 1.Specifications (General & Particular)
- 2.Drawings
- 3.Schedule 'A',
- 4.Bill of Quantities
- 5.CPWD works Manual in force.

I / We forward herewith the sum of Rs.....as Earnest Money, which shall be refunded should this tender be rejected. I / We further agree to deposit such sum which along with the sum of Rs.....mentioned above shall make up 50% of the fully Security Deposit for this work as provided for under conditions of the NATIONAL INSTITUTE OF TECHNOLOGY General Conditions of Contract.

I / We further agree to execute all the work referred to in the said documents upon the terms & conditions contained or referred therein and as detailed in Schedule 'A' and Bill of Quantities thereto and to carry out such deviations as may be ordered, vide conditions of the NITT upto a maximum of 30% of the tendered amount of Rs.....

I / We further agree to refer all disputes, as required to the sole arbitration of an Officer, to be appointed by the Director, NITT., in his sole discretion whose decision shall be final and binding.

**WITNESS**

Signature of the Contractor

Date:

1. ....

2. ....

**Help Page to Web load the documents in E-Tender Portal for Cover Wise  
Uploading the Tender Documents AFTER LOGGING IN TO THE  
BIDDER'S LOGIN COVER WISE TO BE UPLOADED DOCUMENTS**

<b>Cover Details, No. Of Covers – 3</b>				
<b>Cover No</b>	<b>Cover</b>	<b>Document Type</b>	<b>Description</b>	<b>Remarks</b>
1	Fee	.pdf	EMD (Earnest Money Deposit)	Scan Copy of Demand Drafts (original).
		.pdf	Bid Security Form (Annexure I)	The Form has to be submitted in the Letter Head of the Firm/Company/Enterprises along with appropriate Sign & Seal)
1	PreQual/ Technical	.pdf	Declaration by the firm that it has never been black-listed	Self-declaration by the firm duly signed & stamped
		.pdf	Details to be furnished by the Contractor. (Tender Document Pg. No.7)	Duly filled and signed and stamped Checklist for Bid / Tender Document available in the page no.7
		.pdf	Other Important Documents. (Combined Copy)	Details to be furnished by the Contractor Form (Tender Document Pg. No.7) Relevant certificates for items 2-7 are to be enclosed
		.pdf	Technical Bid	Tender Document & Tender Related Documents
		.pdf	Details of similar works executed with Govt. depts./reputed private Ltd, companies or educational institution/universities during last 5 years.	Similar works relevant work orders and Experience Certificate Copies to be upload.
3	Finance / Price Bid	.xls	Price Bid (BoQ)	Duly filled in Price Bid Excel file
		.pdf	Scanned copy of item wise breakup of price bid.	Item wise breakup of price bid in PDF (duly signed)

**OID Bid (Other Important Documents to be uploaded) Other Important Documents**

<b>S.No</b>	<b>Category</b>	<b>Sub Category</b>	<b>Format/ File</b>	<b>Remarks</b>
1	Certificate Details	Permanent Account Number	.pdf	Scanned Copy of Original PAN CARD of the firm.
2	Certificate Details	Registration Certificate	.pdf	Registration Certificate Details (Any firm registration Copy)
3	Certificate Details	Bidders Address Format	.pdf	Bidder Complete Profile (To be provided by the bidder in their business letter head)
4	Certificate Details	Provident Fund Certificate	.pdf	Certificate copy of Employees' Provident Fund Organization
5	Certificate Details	Employees State Insurance Certificate	.pdf	Employees State Insurance Certificate
6	Certificate Details	GST Registration Certificate	.pdf	GSTIN Registration certificate