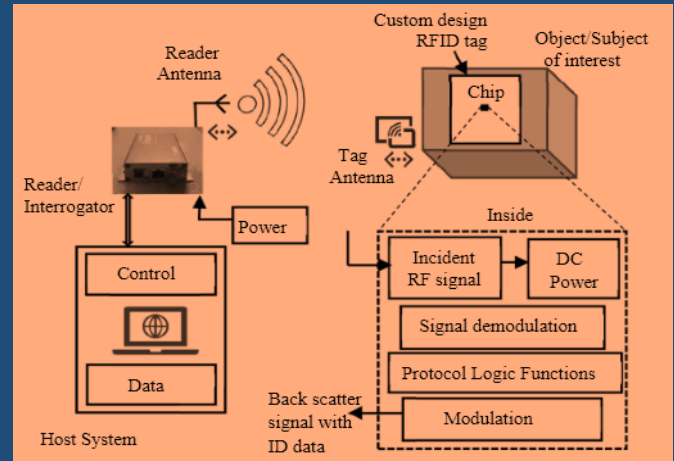
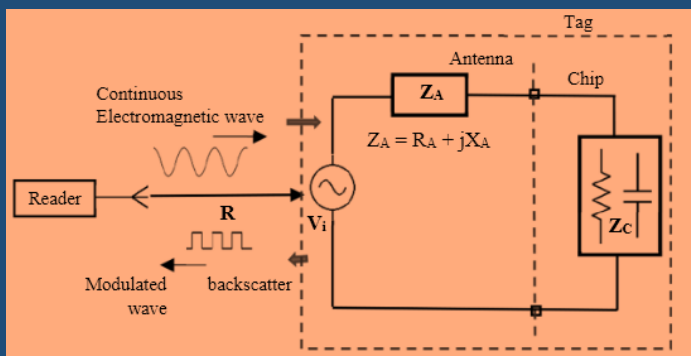


SUMMER INTERNSHIP - 2022

Applications are invited from **Third year ICE/ECE/EEE Students of NITT and other institute students** for undergoing internship in the Department of Instrumentation and Control Engineering to work in the following projects under SERB-SRG (493/19-20/SERB/ICE/GC) - Social Responsibility.

PROJECT - 1

Title – Design & Development of passive wireless sensors for surface crack monitoring on Non-Metallic Structures



PROJECT - 2

Title – Design & Development of energy harvesting circuit to develop a passive sensor

- ❖ Selection will be based on interview
- ❖ On completion of the assigned tasks, Rs. 5000 per student will be paid and certificate will be issued

Duration: 1 month

Number of Interns Required: 2

Interested students can send their resume mentioning the project number to geethac@nitt.edu

Important Dates

Last Date for resume submission

06 May 2022

Start of Internship

11 May 2022